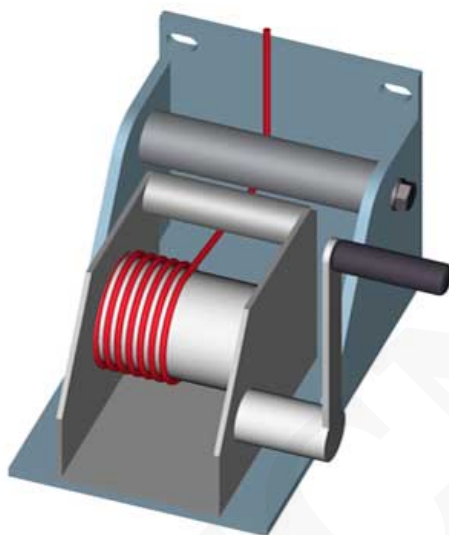


## CABRESTANTE PARA DISPOSITIVO BASCULANTE 6 M



**SKU:** 4.3182.03.090 | **Categorías:** [Thies Clima](#) |

## DESCRIPCIÓN DEL PRODUCTO

```
[vc_row type="in_container" full_screen_row_position="middle" column_margin="default" scene_position="center"
text_color="dark" text_align="left" overlay_strength="0.3" shape_divider_position="bottom"
bg_image_animation="none"][vc_column column_padding="no-extra-padding" column_padding_position="all"
background_color_opacity="1" background_hover_color_opacity="1" column_link_target="_self" column_shadow="none"
column_border_radius="none" width="1/1" tablet_width_inherit="default" tablet_text_alignment="default"
phone_text_alignment="default" overlay_strength="0.3" column_border_width="none" column_border_style="solid"
bg_image_animation="none"][tabbed_section style="default" alignment="left" spacing="default" tab_color="Accent-
Color"][/tabbed_section][vc_column][vc_row]
```

## INFORMACIÓN ADICIONAL

COTECNO