

MEDIDOR DE NIVEL DE SOLAPA MAGNÉTICA BELL-MEDNISOLMAG



SKU: B-01-62-0100-0149 | **Categorías:** [Automatización y Mecatrónica](#) |

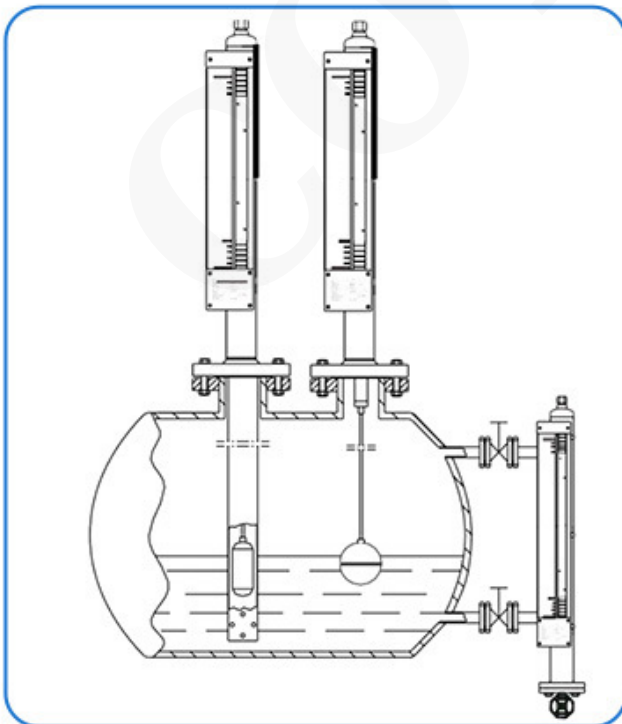
DESCRIPCIÓN DEL PRODUCTO



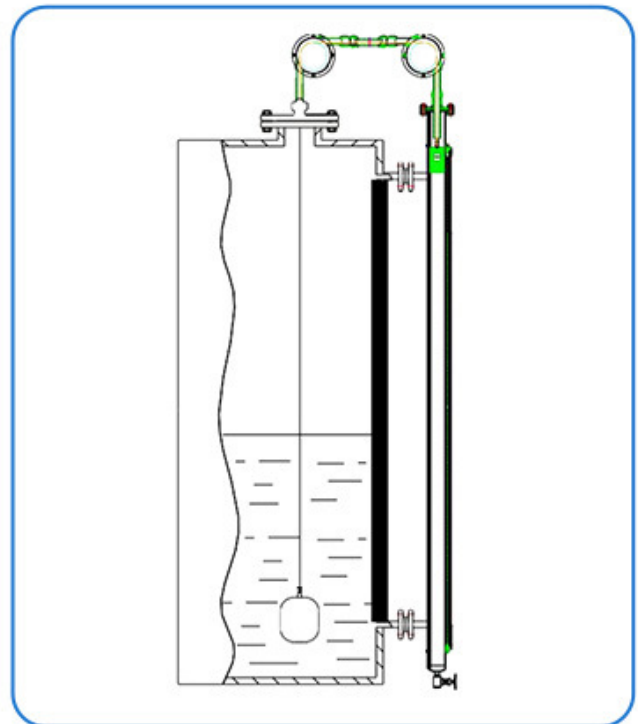
Products Description

Product name	Magnetic flap level gauge
Measuring range	0-15000mm
Resolution	±10mm (special customization ±5mm)
Accuracy class	±1.5%FS (H≥10m) ±2.5%FS (H < 10m)
Protection level	IP65
Transmission distance	≤5Km
Electrical Interface	M20*10.5 internal thread
Output signal	Two-wire system 4-20mA
Supply voltage	12-36VDC
Load capacity	≤600Ω
Ambient temperature	-20~80°C

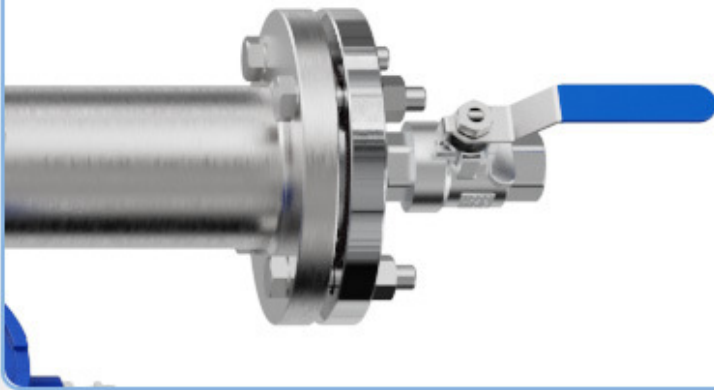
Installation Method



Tank roof installation



Side wall transmission installation



High-quality shut-off valve port

Durable and easy to install

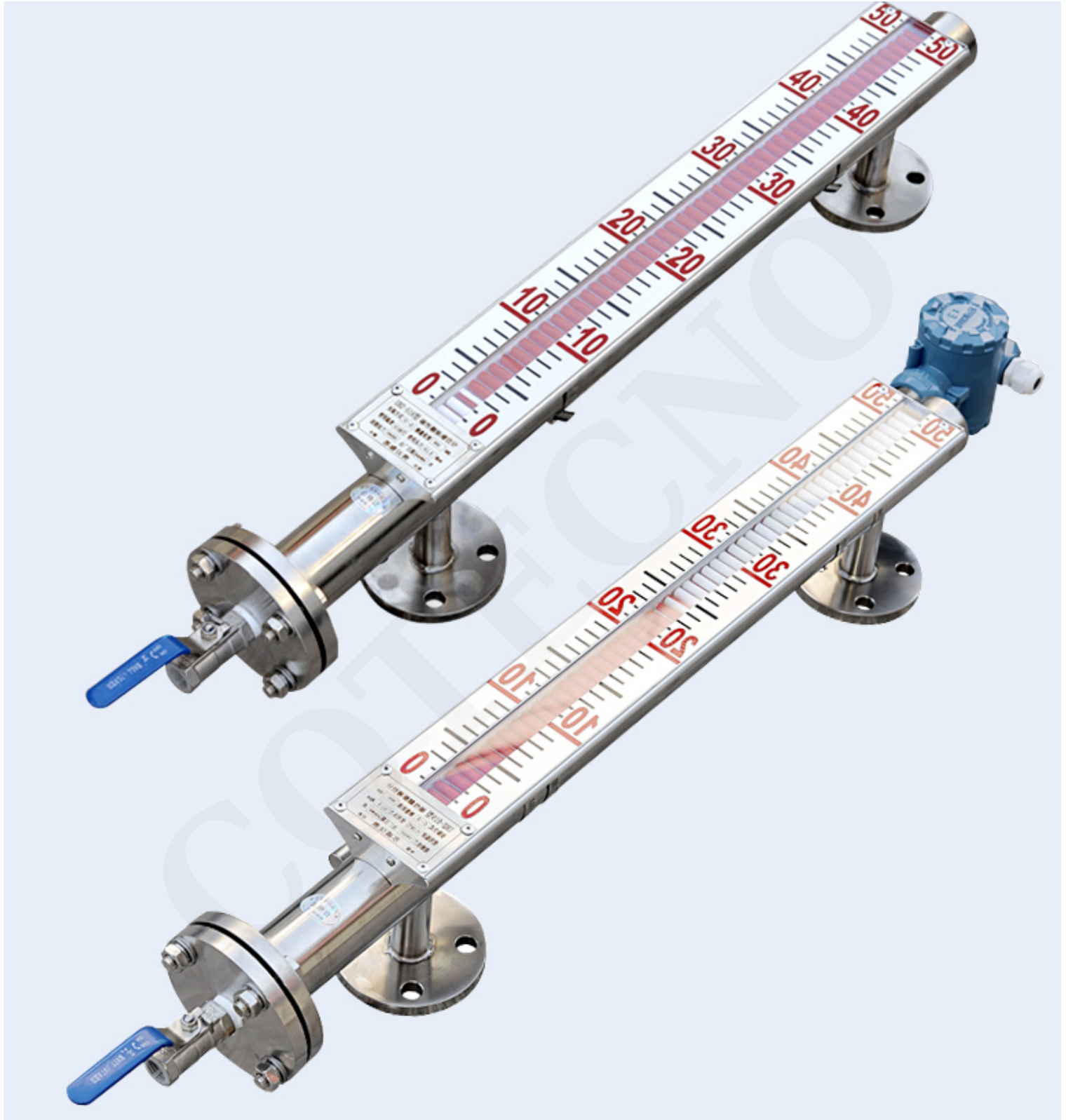
Precision laser marking

Clear specifications and high identification
Exclusive number, easy to trace



Standard flange connection

Can be equipped with national standard flange, worry-free matching

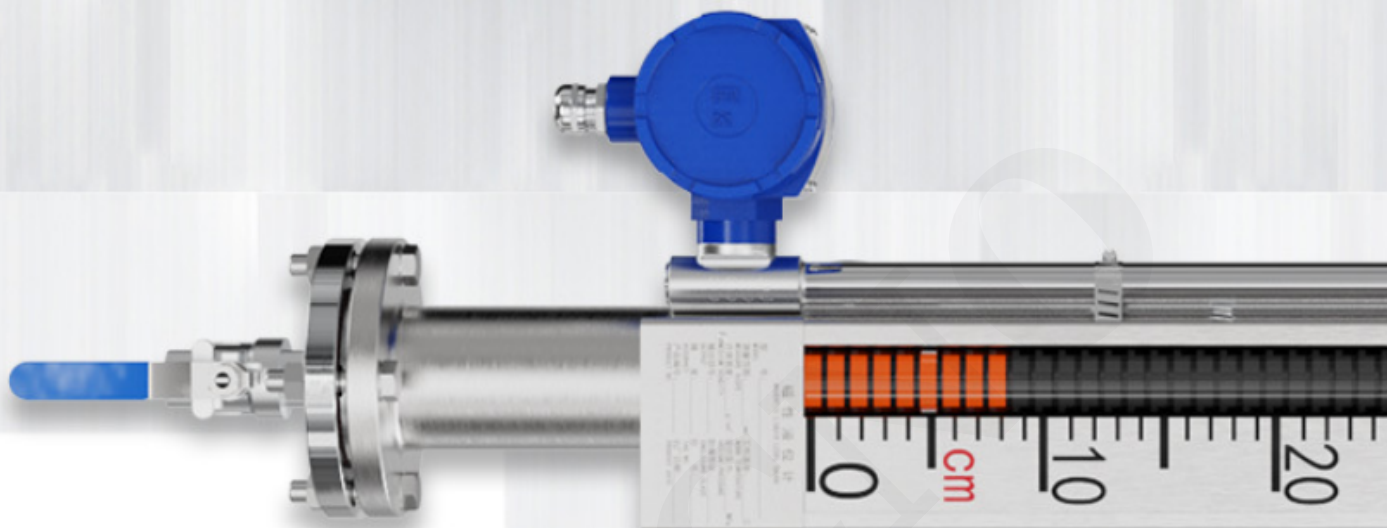




Large range, high precision
0-15m range, 1.5% accuracy
Accurate measurement of high and low liquid level



Clear reading, remote transmission
Reprint+digital display, can bring Hart
Remote monitoring and easy measurement



INFORMACIÓN ADICIONAL

COTECNO