

SENSOR DE DURACIÓN DE LA LUZ SOLAR SENSOR DE HORA DE LUZ SOLAR BELL-SENDURLUSOL



SKU: B-01-62-0100-0117 | **Categorías:** [Automatización y Mecatrónica](#) |

DESCRIPCIÓN DEL PRODUCTO

HIGH COST PERFORMANCE
WIDE VOLTAGE DESIGN



LIFETIME MAINTENANCE ONE YEAR WARRANTY

NO.1

Adopting imported transmitter design,
the measurement is more accurate and reliable

NO.2

Cost-effective Ultra-high
Wide Voltage Design

NO.3

Digital Linearization Correction
High Precision
High Stability

NO.4

Use real sun cursors to minimize
the influence of light sources

NO.5

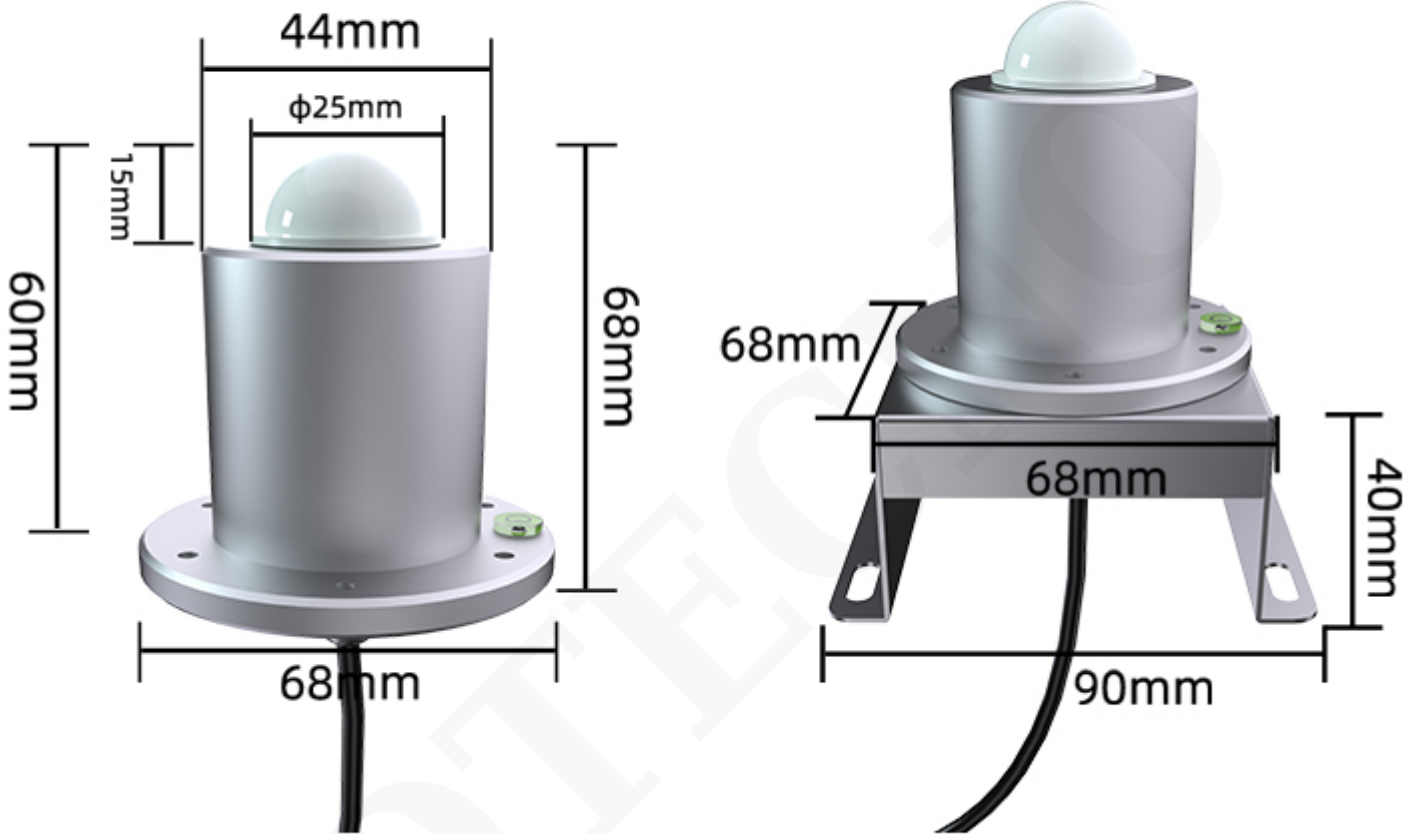
Flexible installation and easy to use

NO.6

Can be made into a variety of shapes to
facilitate the needs of different customers



BRACKET OPTION



parámetros de medición: horas de sol

rango de medición: 0~24h

resolución: 0.1h

precisión: $\pm 2\%$

INFORMACIÓN ADICIONAL

COTECNO